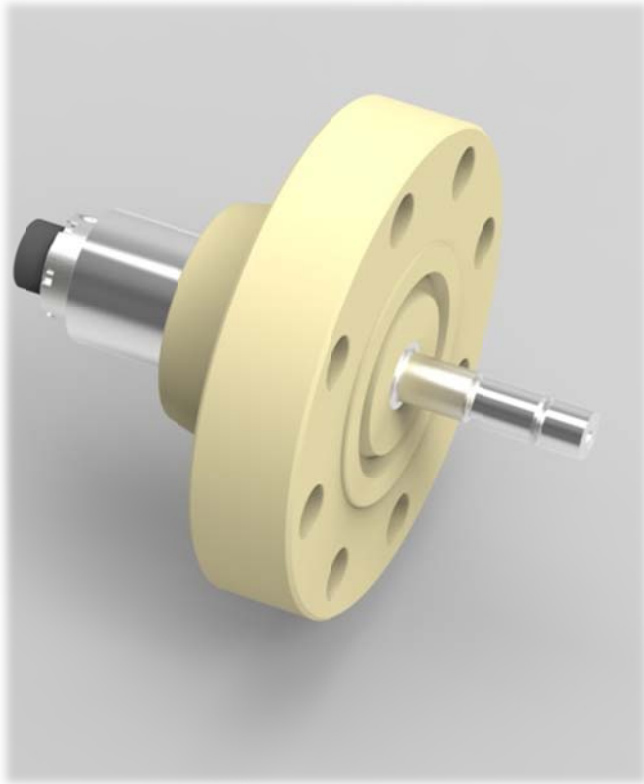




Subsea Pressure/Temperature (PT) Sensors



Subsea Sensors Inc. manufactures a line of pressure and temperature sensors for subsea O&G operations. These sensors are designed for working pressure up to 20,000 psi and seawater depths greater than 10000 ft. The sensors are available in all of the standard API flange sizes and pressure ranges. Both temperature and pressure sensors are located within 0.5" of the probe tip allowing excellent dynamic response.

No structural welds are utilized in the design of the primary or secondary pressure barriers. Certifications and design standards include: ABS Certificate of Design Assessment, API 6A, API 17F

Technical Specifications:

Environmental Specifications:

| | |
|-----------------------|---|
| MTBF – Design Life | >25 Years |
| Vibration | ±5g, 25-2500Hz |
| Shock | 20g Half Sine Pulse Duration 11 mSec |
| Hyperbaric Pressure | 5ksi |
| Media Temperature | -40C to 200C |
| Operating Temperature | -40C to 70C |
| Storage Temperature | -40C to 90C |

Electrical Specifications:

| | |
|----------------|---------------------|
| Supply Voltage | 11-40VDC |
| Output Signal | 4-20mA, 2 wire loop |

Material Specifications:

| | |
|-----------------------|---|
| Process Materials | Inconel 718 Hastelloy C276 SuperDuplex S32750 |
| Process Connection | API 6A, |
| Available flanges | 2-1/16" thru 4-1/16 " |
| Probe diameter | 1.75" |
| Probe length | 2 in thru 24 in |
| Secondary Containment | 25ksi |

Pressure Specifications:

| | |
|---------------------------|---------------------|
| Pressure Sensor | Sputtered Thin Film |
| Pressure Ranges | Up to 25,000 psi |
| Maximum Over Pressure | 1.5 times range |
| Accuracy | ±0.1% F.S. |
| Temperature Effect - Span | ±0.01%/°C |
| Temperature Effect - Zero | ±0.015%F.S./°C |

Temperature Specifications:

| | |
|--------------------|-------------------|
| Temperature Sensor | 100Ω Platinum RTD |
| Accuracy | ±1.0 C |
| Drift | <0.1% F.S./ Year |